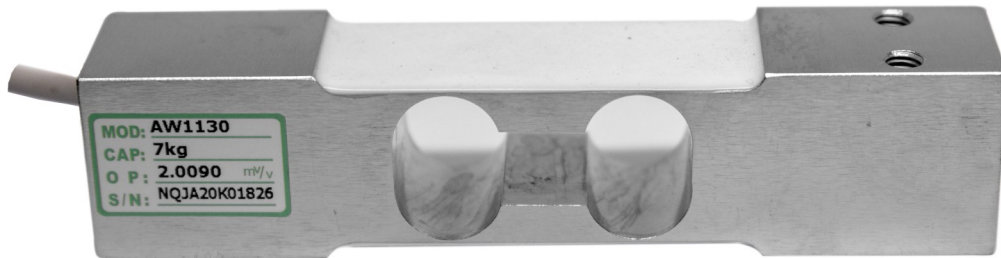
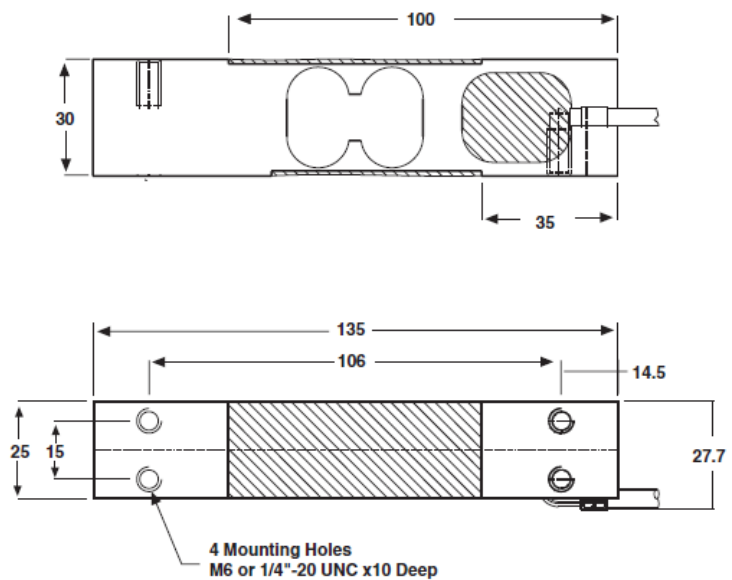


AW1130 Stainless Steel Load Cell



Features

- ◆ Stainless Steel
- ◆ Fully Silicone sealed
- ◆ 3000d accuracy class
- ◆ For platform and retail scales
(suits 350mm x 250mm platform)



Specifications

Capacity	Kg	7, 10, 15, 20, 30, 40, 50	Insulation	(MΩ)	> 5000
Rated Output (RO)	mV/V	2±0.2	Recommended Excitation	(V DC)	5-12
Zero Balance	mV/V (%RO)	2.0	Maximum Excitation	(V DC)	18
Non-Linearity	(%RO)	0.017	Compensated Temp Range	(°C)	-10~+40
Hysteresis	(%RO)	< 0.015	Operating Temp Range	(°C)	-35~+65
Repeatability	(%RO)	< 0.010	Safe Overload	(%RO)	150
Creep	(%RO/30min)	< 0.020	Ultimate Overload	(%RO)	300
Temp effect on output	%RO/10°C	< 0.014	Cable Size	mm	Ø4.9mm x 0.3m long
Temp effect on zero	%RO/10°C	< 0.017	Material		Stainless Steel
Input Impedance	(Ω)	405Ω ± 35Ω	Protection Class		IP65
Output Impedance	(Ω)	350Ω ± 6Ω			